

Benchmarking:

Market research for business and competitor landscape study on various attributes of the products.

Specification & Concept:

Derive key product attributes from voice of customer. Generate concepts in CAD, ideate solutions through Brainstorming and QFD.

Design & CAE:

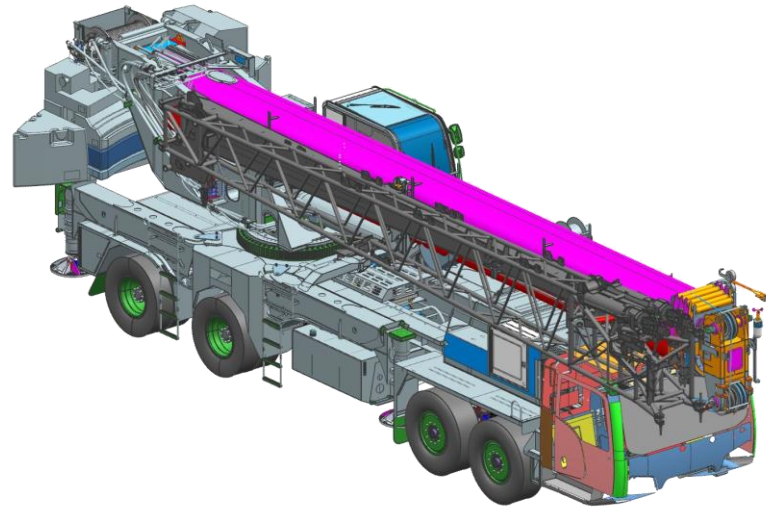
Conduct virtual validation using CAE tools, DFMA & FMEA, Engineering drawings for all new components & functional assemblies.

Prototype build:

Procurement & Proto build support, Record functional/non-functional issues & identify solutions.

Testing & Validation:

Conduct field endurance, field performance validation according to equipment and factory standards.



Product

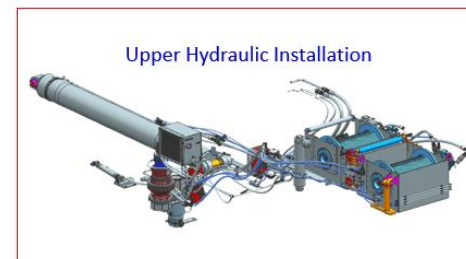
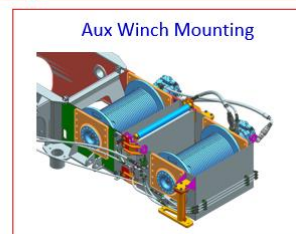
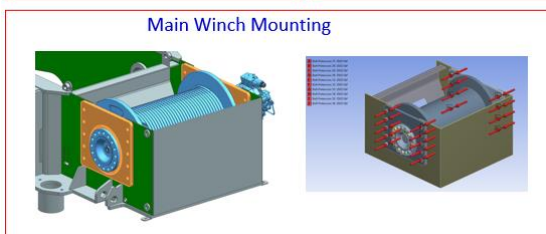
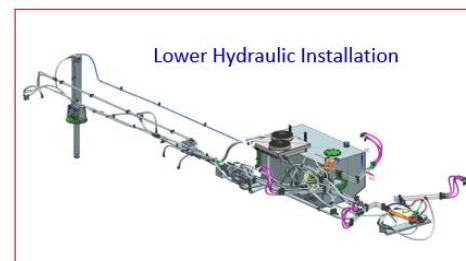
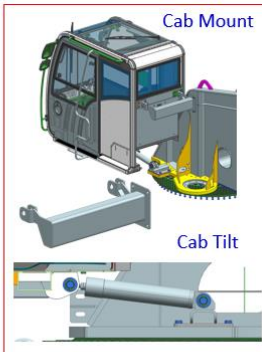
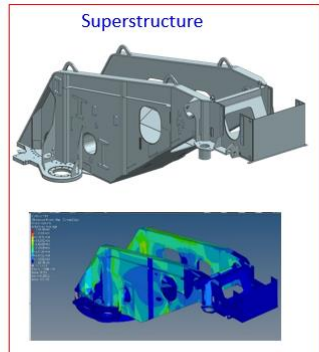
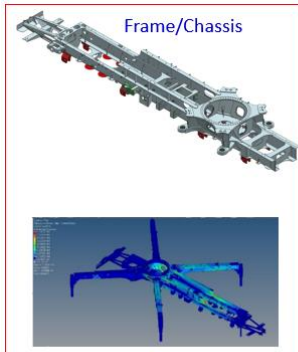
- Truck Crane
Max Capacity 120 US ton, Boom length 197 feet,
Engine 500 HP Cummins with Eaton Ultra Shift 18 speed
transmission

Support for:

- Frame/Chassis
- Superstructure
- Cab Mount and Cab Tilt
- Main Winch Mounting
- Aux Winch Mounting
- Upper Hydraulic Installation
- Lower Hydraulic Installation
- Hydraulic Tank Design
- Air Tank Installation
- Rear Access and Rear Bumper
- Engine Mounts and Installation


FEA

- Frame, Hub and Outrigger
- Main Winch Bolt analysis
- Superstructure
- Bumper analysis (Impact Test)
- Electrical Harness and 3D routing

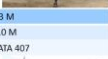


Vayas, Genesis, Shalimar Engineering, Trident, Jaypee Engg. etc.


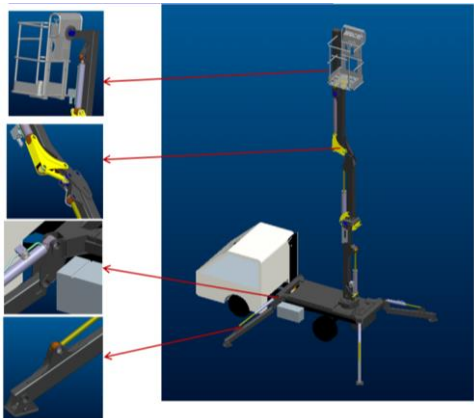
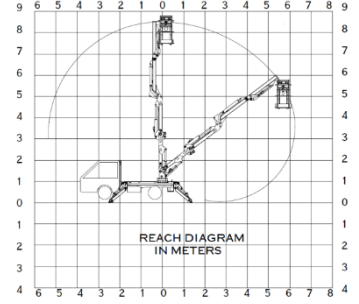
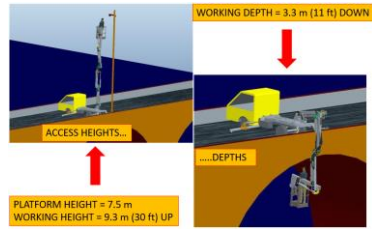
WORKING HEIGHT	8.5 M
OUTREACH	3.0 M
CARRIER	TATA-ACE



WORKING HEIGHT	13 M
OUTREACH	8.0 M
CARRIER	TATA 407



WORKING HEIGHT	15 M
OUTREACH	9.0 M
CARRIER	TATA 709??

Product Truck Mounted Aerial

- NPD for India market
- Target Market Competition & concept.
- Design & Development of Concept machine
- Concept machine Testing, Issues and Resolutions
- Redesign and build of Proto1.
- Testing & Validation, Proto1 Issues and Resolutions.
- Machine Specification.
- Features.